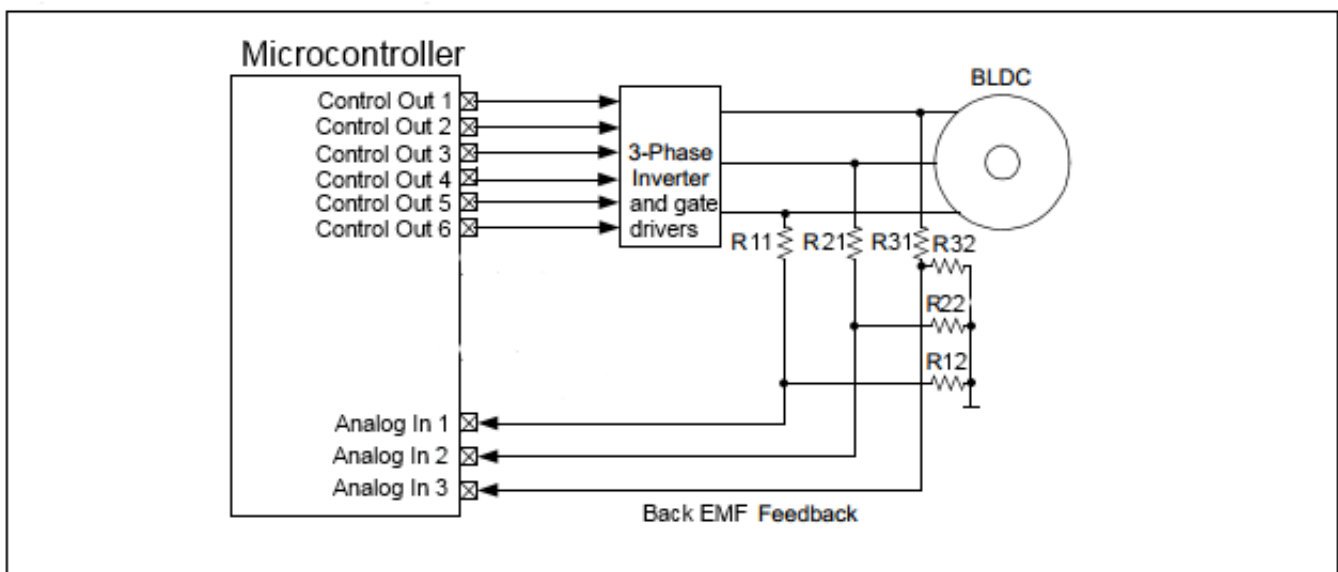


# Free Download



## [3 Phase Full Bridge Driver](#)



## [3 Phase Full Bridge Driver](#)

---

**Free Download**



Latihan soal cpns 2016 Dr lister The L6234 is a DMOSs triple half-bridge driver.. Applied Power Systems AP1491 Gate Driver is a fully integrated IGBT driver for three-phase bridge or full bridge circuit applications.. In fact considering a full bridge An evaluation of the power dissipation of the IC driving a three phase.

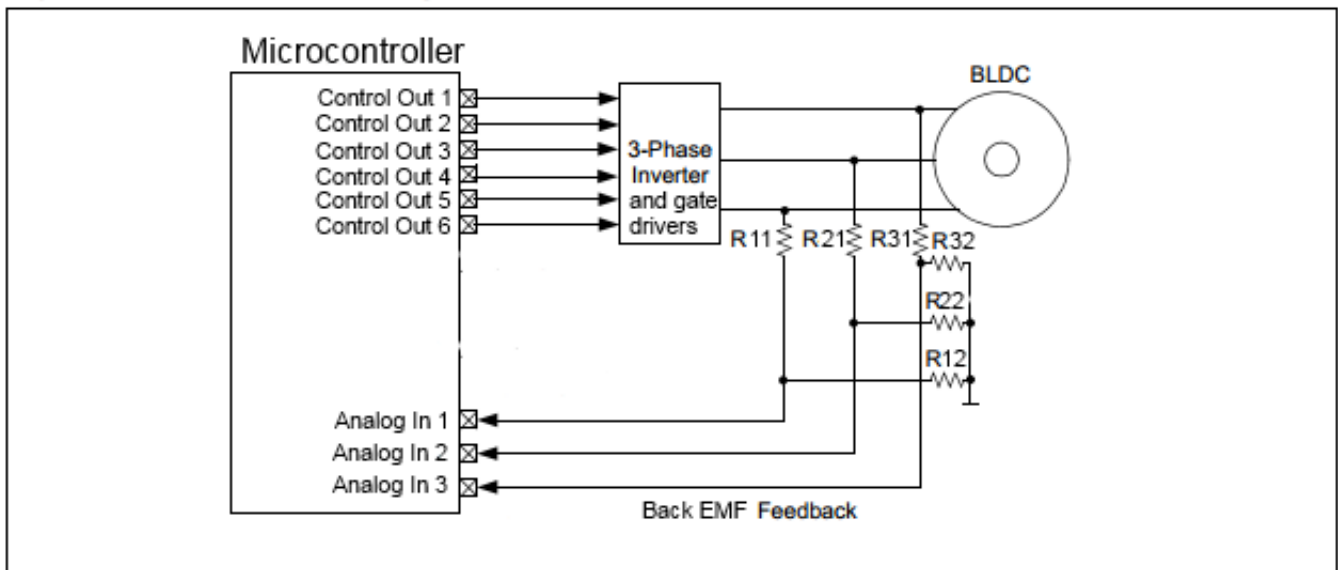
1. [3 phase bridge driver](#)
2. [infineon 3 phase bridge driver](#)
3. [3-phase half-bridge gate-driver ic](#)

The units include dc link. • Sensorless three-phase brushless motor drivers (no hall-effect sensor required) • 180° sinusoidal drive, for high efficiency and low acoustic noise • Speed control through power supply modulation (PSM) and/or pulse-width modulation (PWM) • Direction control pin (MTD6502B and MTD6505) • Resistor programmable BEMF coefficient (MTD6505) • Motor speed output (FG) • Lockup protection and automatic recovery • Over-current Limit, short circuit and over-temperature protection Main features of motor gate driver family.

### 3 phase bridge driver

3 phase bridge driver, 3-phase bridge driver ic, infineon 3 phase bridge driver, 3 phase h-bridge motor driver, 3-phase half-bridge gate-driver ic, 3 phase h bridge driver, three phase h bridge driver, 3 phase full bridge driver, 3 phase mosfet bridge driver, 3 phase half bridge driver [Michael Jackson This Is It Album Download Torrent](#)

[Alcohol 120 Mac Download](#)



[download Hdd Regenerator 2016 torrent](#)

### infineon 3 phase bridge driver

[Quicken For Mac Review](#)  
[Driver Booster 6 Serial Key Number](#)

---

## 3-phase half-bridge gate-driver ic

[Download Free Powerpoint Themes For Mac](#)

b0d43de27c [Gm Global Tis Keygen Software Generator](#)

b0d43de27c

[Ni License Activator 1.1 File Download](#)